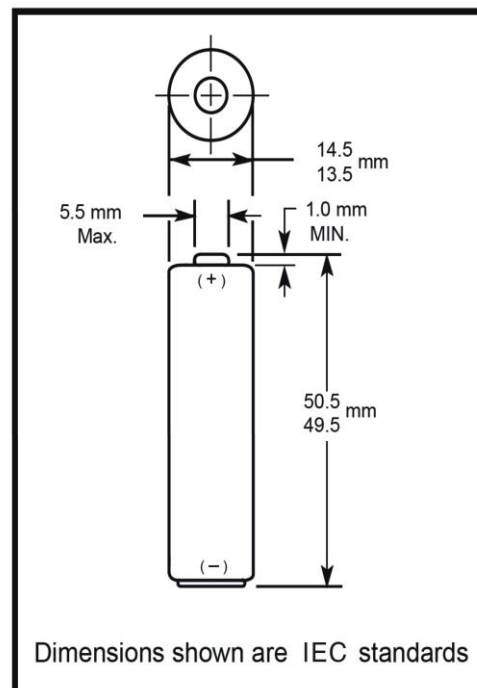


LR6 MERCURY FREE ALKALINE MANGANESE BATTERY SPECIFICATION

1. Essential Parameters

Model	IEC LR6 ANSI AA JIS AM-3
Electrochemical System	Zinc/ MnO ₂
Nominal Weight	23.5g
Nominal Voltage	1.5V
Working Temperature	-20°C~54°C
Shelf Life (20°C)	10 years
Packaging and Mark	PET label (aluminum jacket) marked with expiry date
Hazardous Substance	Hg Content < 1ppm Cd Content < 20ppm Pb Content < 40ppm
Reference Standard	IEC 60086-2; GB/T 8897.2; 2006/66/EC.



2. Electrical Characteristics (10Ω, 0.2s, 20±2°C)

Initially	OCV (V) Open-circuit Voltage	CCV (V) Closed-circuit Voltage	SC (A) Short-circuit Current
Value	≥1.59	≥1.50	≥8.0

3. Discharge Performance (20±2°C, RH: 45%~75%)

Discharge Pattern	Appliances (simulating)	End Voltage	Unit	Standard Value (Initially)	Actual Level (Initially)
3.9Ω - 1h /day	Motor/toy	0.8 V	hour	7.0	7.6
250mA - 1h/day	CD/Electronic games	0.9 V	hour	7.2	8.2
100mA - 1h/day	Digital audio	0.9 V	hour	22.0	24.0
43Ω - 4h/day	Radio/Clock	0.9 V	hour	92	97
24Ω - 15s/min, 8h/day	Remote controller	1.0 V	hour	45	49
1000mA - 10s/min, 1h/day	Photoflash	0.9 V	pulse	460	520
1500mW - 2s, 650mW - 28s repeat 10 times(5min) per hour	Digital camera	1.05 V	pulse	80	95

4. Security Characteristics (Environment: Temp.20±2°C, RH.60±15%)

No.	Security Test Item	Test Method (IEC Standard)	Sample QTY.	Specification Standard
1	Over discharge – Anti-leakage Test	20±2°C, RH60±15%: 10Ω continuous discharge to 0.6V; visual observation.	9 pcs	No leakage
2	High Temperature – Anti-leakage Test	Store for 60 days under 60±2°C and RH: 90±5%; then store for 4~24 hours under 20±2°C and RH: 60±15%.	20 pcs	No leakage
3	External Short-Circuit	20±2°C, RH60±15%: Keep the battery external short-circuit for 24 hours under the specified condition.	10 pcs	No explosion
4	Improper Installation	20±2°C, RH60±15%: Keep four un-discharged batteries from the same batch series connected with one of them (the Test Battery) reversed.	5 groups	No explosion

5. Usage Guide (Please refer to IEC60086.5 for detailed safety and storage specifications.)

- (1) Insert batteries correctly with regard to the polarities (“+”/“-”) marked on the battery and the electrical appliances;
- (2) Do not short-circuit, recharge, heat, disassemble the battery, or dispose of in fire;
- (3) Do not mix use old batteries with new ones, or mix use batteries of different types or brands;
- (4) Remove the exhausted battery from the appliances immediately;
- (5) Keep the batteries away from small children; do not let the child remove/ replace batteries without monitoring from adults.
- (6) Storage condition of the batteries shall be Temperature: 15°C~25°C (no higher than 30°C), while extremely damp environment beyond RH: 40%~90% shall also be avoided.